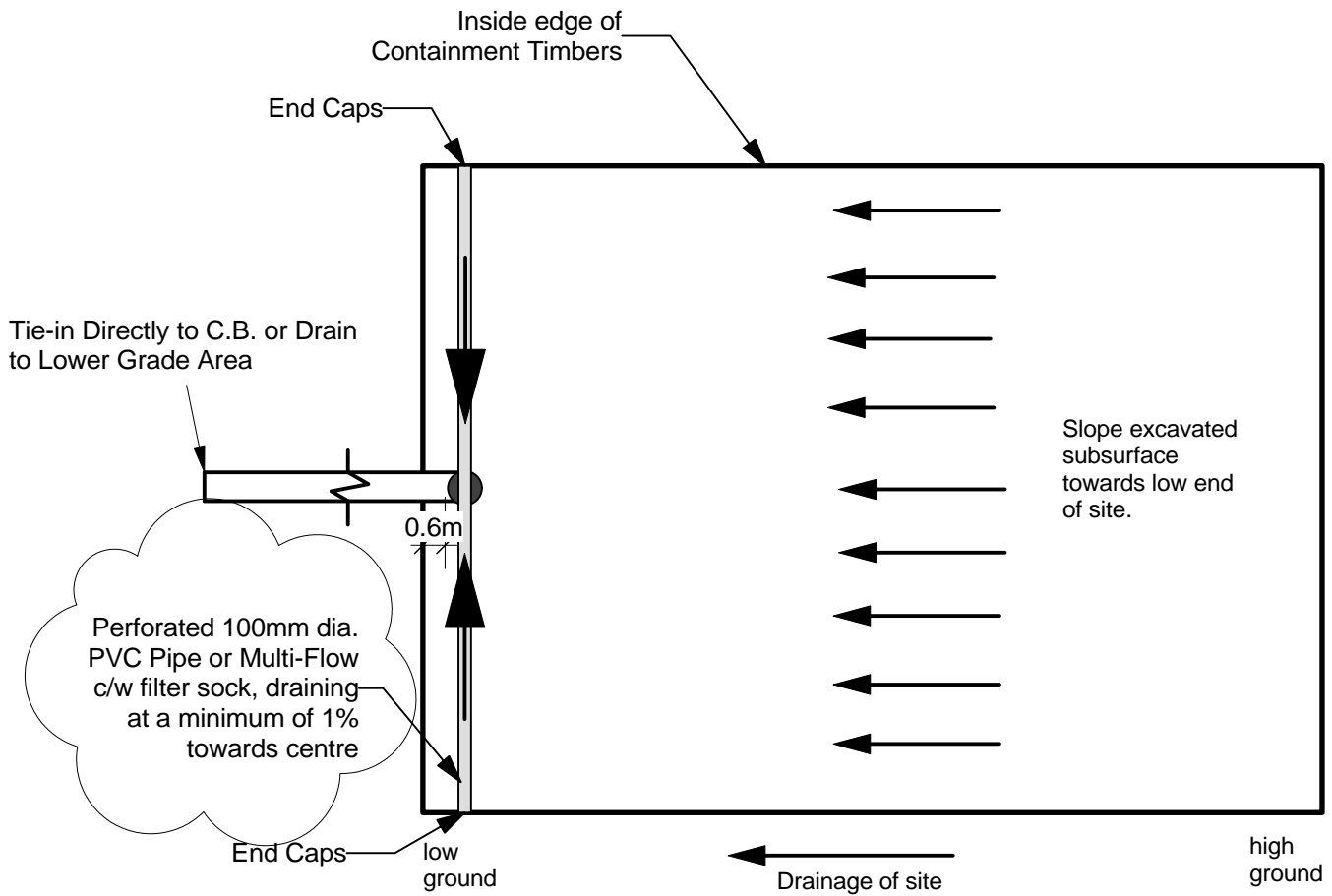
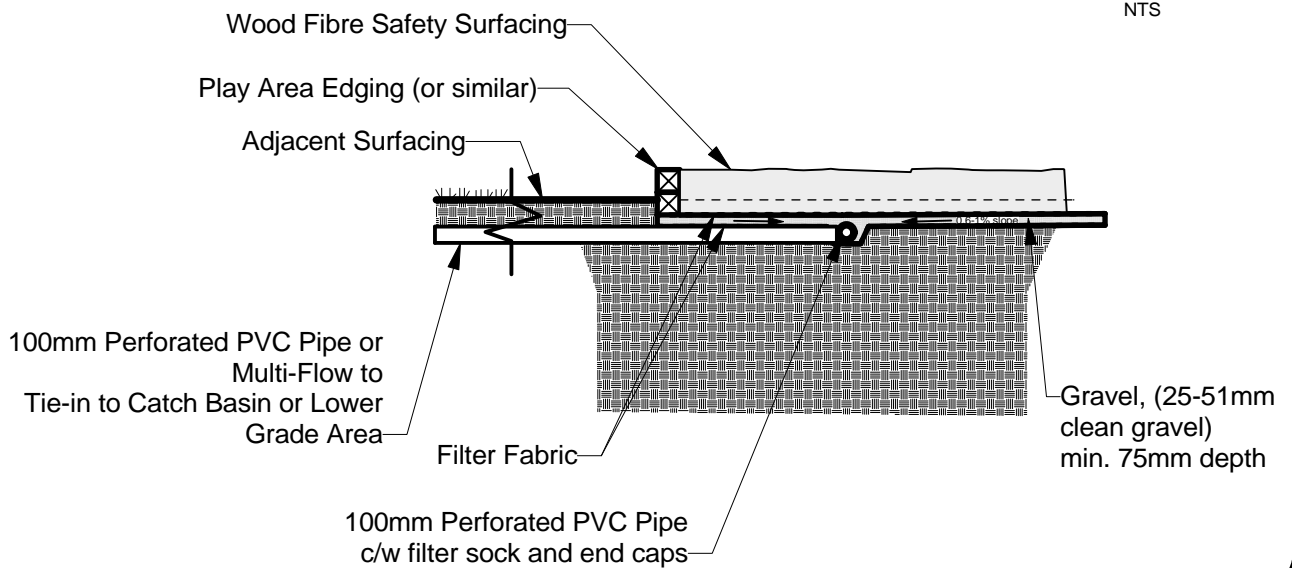


# Wood Fibre Safety Surfacing Drainage Diagram

SCD  
650a(R1)



Plan  
NTS



Section  
NTS

Drawn By: SP  
Date: Jan 2009

THE CITY OF WINNIPEG  
Planning, Property and Development Department  
Planning and Land Use Division  
Unit 15 - 10 Fort Street, Winnipeg, MB, R3C 4X5

